

[TopPage](#)>>[Search Result](#)>>7240BDB

# Angular Contact Ball Bearings

Bearing No. : **NACHI 7240BDB**

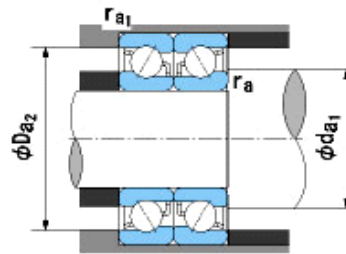
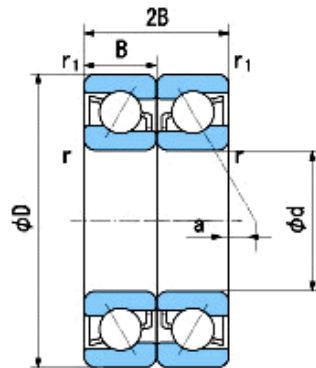
■ Bearing Type

■ Clearance

■ Tolerance Class

## Dimensions

d = 200<sup>0</sup><sub>-0.030</sub>  
 D = 360<sup>0</sup><sub>-0.040</sub>  
 B = 58<sup>0</sup><sub>0.000</sub>  
 r = 4~6.5  
 (Radial Direction)  
 r = 4~9  
 (Axial Direction)  
 r1 = 1.5~3  
 (Radial Direction)  
 r1 = 1.5~5  
 (Axial Direction)  
 a = 88.5



## Dimensions

da1(min) = 218  
 da2(min) = 209  
 Da1(max) = 342  
 Da2(max) = 351  
 ra(max) = 3  
 ra1(max) = 1.5  
 Mass = 51 kg

Basic Dynamic Load Rating Cr : **510,000** N

Basic Static Load Rating Cor : **840,000** N

Limiting Speed ;

Grease Lubrication : **1,000** min<sup>-1</sup>

Oil Lubrication : **1,500** min<sup>-1</sup>

	INNER RING	OUTER RING
O.D.Surface Runout with Side :		-
Axial Runout with Bore :	-	-
Axial Runout with Raceway :	-	-
Width Variation :	<b>0.030</b>	<b>0.030</b>
Radial Runout :	<b>0.040</b>	<b>0.070</b>